



VALOR® VSI PLANT

V600 / REAR FEED / REAR DISCHARGE



STANDARD FEATURES

VALOR VSI CRUSHER

- » Crusher drive motor and base
- » Pinion drive

CARRIER CHASSIS

- » Superior paint scheme
- » Tridem axle
- » Air brake system
- » Mud flaps
- » Travel lights w/ brake and directional signals
- » Fifth wheel hitch
- » Hydraulic leveling legs
- » Fixed structural cribbing legs
- » Tool box
- » King pin supports
- » Diamond plate walkway w/ drainage holes
- » Access ladders
- » Elevated observation platform
- » Safety guarding*
- » Grease package

HOPPERS AND CHUTES

- » Crusher discharge chute
- » Adjustable rubber flashing

36" REAR FEED CONVEYOR

- » Structural channel frame
- » Hydraulic raise/lower
- » Fold for transport
- » Rear telescoping swing tail support
- » Class II drive
- » Dodge bearings
- » Chevron® Pulley
- » Sealing System
- » CEMA Idlers with SpinGuard® Seals
- » Vulcanized belt

36" REAR DISCHARGE CONVEYOR

- » Structural channel frame
- » Class II drive
- » Dodge bearings
- » Chevron® Pulley
- » Sealing System
- » CEMA Idlers with SpinGuard® Seals
- » Exterra™ Primary Belt Cleaner
- » Vulcanized belt

POWER SUPPLY

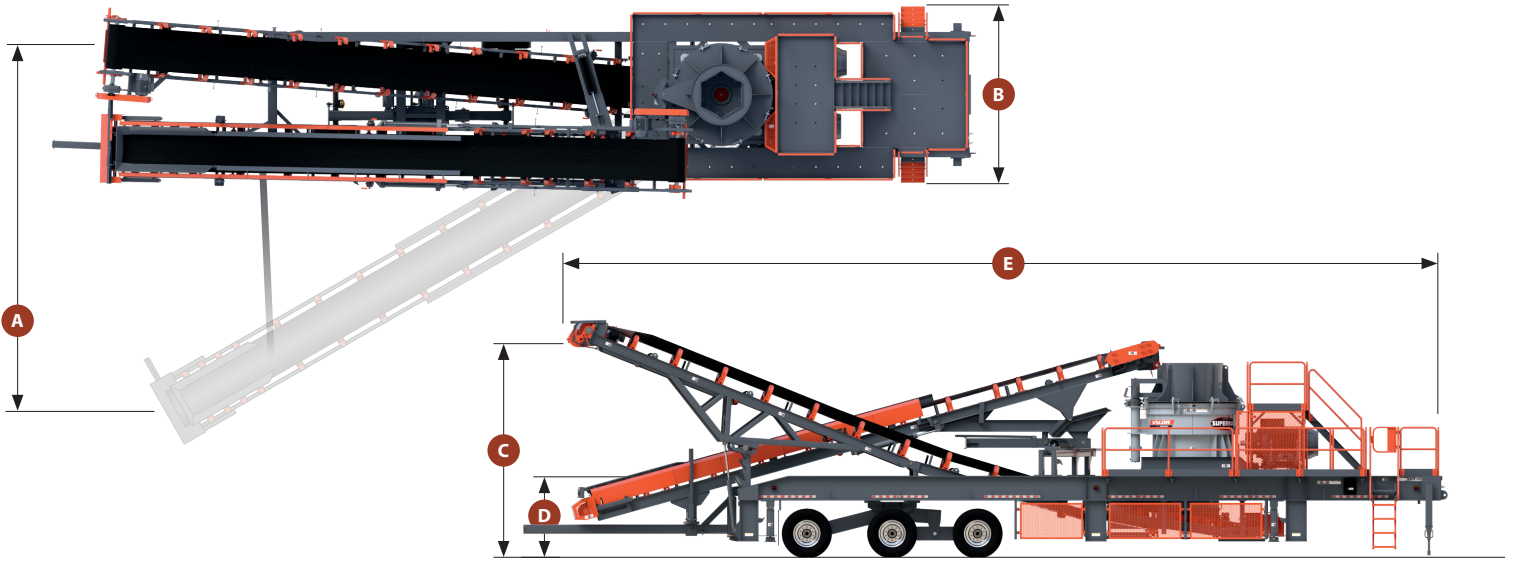
- » 480 v / 3 HP / 60 Hz

OPTIONS

- ★ Level Assist (patent pending)
- ★ Feed conveyor cartridge
 - » Run on jacks with counterbalance valves
 - » Run on jacks with mechanical pin locks
- » Control panel
 - ↳ System start/stop sequencing
 - ↳ Interlocking controls
- » Variable frequency drive controls for main crusher motors
- » Vertical motor mount

★ Exclusive to Superior Industries

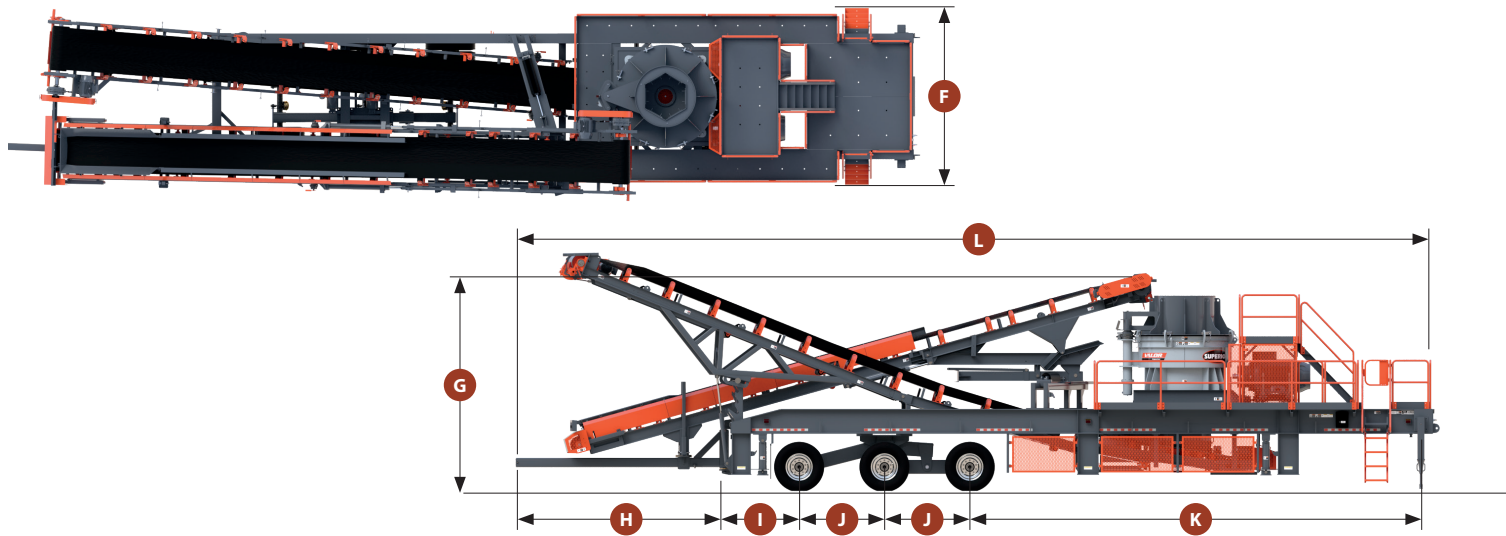
OPERATING DIMENSIONS



OPERATION DIMENSIONS - INCHES (MM)

	A	B	C	D	E
V600	302 (7,670)	151 (3,835)	184 (4,675)	60 (1,525)	747 (18,975)

TRANSPORT DIMENSIONS



TRAVEL DIMENSIONS - INCHES (MM)

	F	G	H	I	J	K	L
V600	144 (3,655)	168 (4,265)	159 (4,040)	56 (1,420)	73 (1,855)	380 (9,650)	741 (18,820)