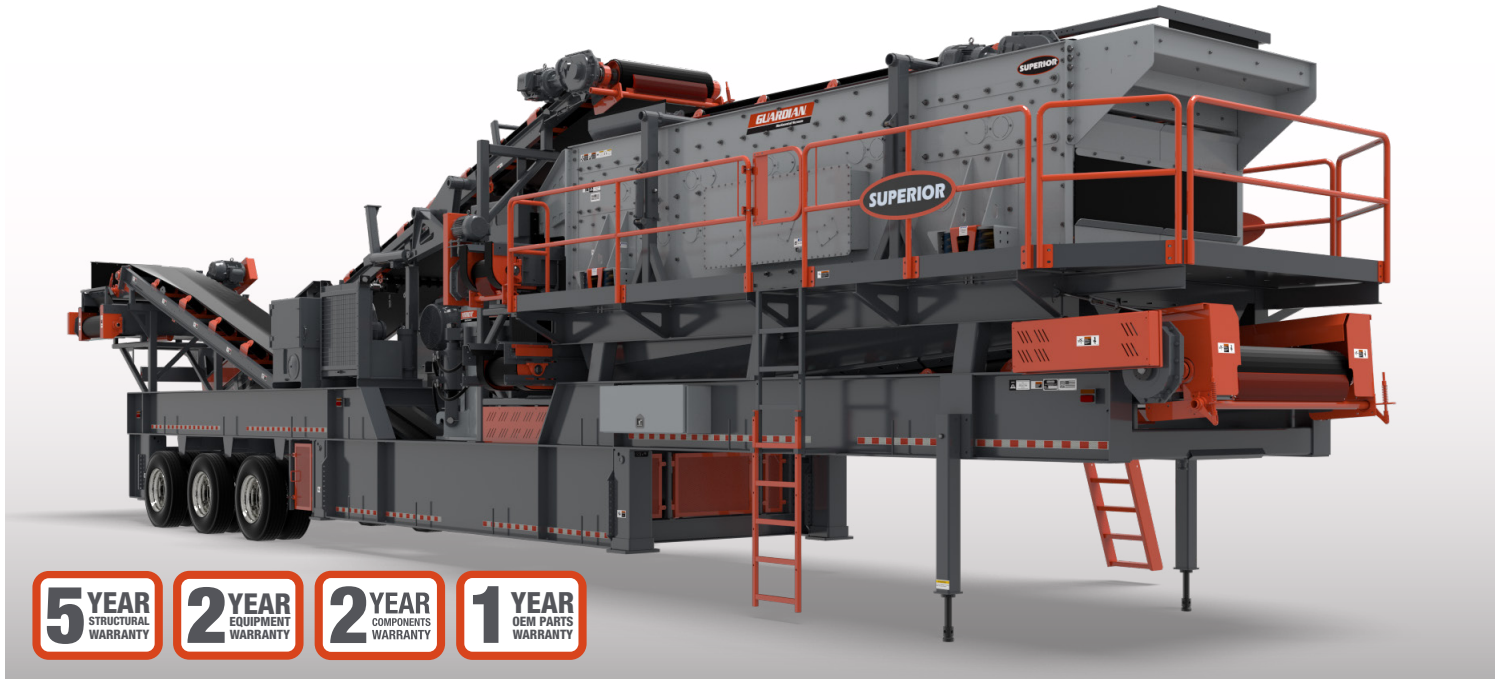




CLOSED CIRCUIT PLANT

PATRIOT® P300 CRUSHER / GUARDIAN™ 6203 SCREEN



5 YEAR
STRUCTURAL
WARRANTY

2 YEAR
EQUIPMENT
WARRANTY

2 YEAR
COMPONENTS
WARRANTY

1 YEAR
OEM PARTS
WARRANTY

FEATURES

CARRIER CHASSIS

- » Superior paint scheme
- » Triple axle with a single axle booster or a quad axle
- » Air brake system
- » Mud flaps
- » Travel lights w/ brake and directional signals
- » Fifth wheel hitch
- » Fixed structural cribbing legs
- » Tool box
- » King pin supports
- » Diamond plate walkway w/ drainage holes
- » Access ladders
- » Safety guarding*
- » 1-2 common grease points
- » Hydraulic leveling jacks (optional)

PATRIOT CONE CRUSHER

- » 300HP
- » Crusher drive motor and base
- » Countershaft blower

GUARDIAN™ SCREEN

- » 6x20 triple deck horizontal screen
- » 40 HP 1800 RPM, TEFC screen drive motor
- » Right hand drive

HOPPERS AND CHUTES

- » Under-crusher gathering hopper constructed of 3/8" AR400 steel
- » Directs material onto rear discharge conveyor
- » Adjustable rubber flashing full length of hopper
- » Bolted clean out door

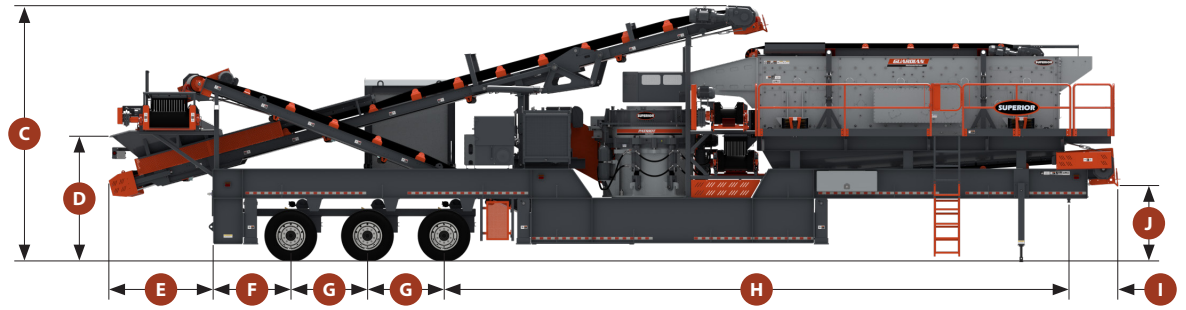
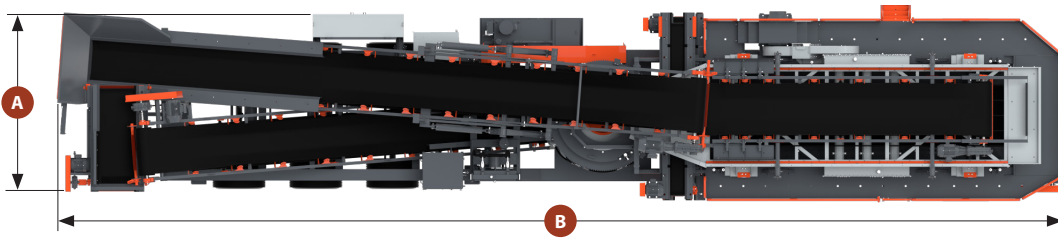
CONVEYORS

- » 42" feed conveyor
- » 42" screen feed conveyor
- » 36" crusher discharge conveyor
- » 36" closed circuit cross conveyor
- » (1) 18" rolling cross conveyor
- » (1) 24" rolling cross conveyors
- » 60" screen fines discharge conveyor
- » Class II drives
- » Dodge shaft mount reducer and bearings
- » Exterra® Primary Belt Cleaner on fines conveyor
- » CEMA idlers with Spinguard® Seal System

POWER SUPPLY

- » 480 v / 3 HP / 60 Hz
- » Control panel with starters
 - ↳ (1) 300 HP crusher drive
 - ↳ (1) 40 HP screen drive
 - ↳ (1) 15 HP screen fines conveyor drive
 - ↳ (2) 5 HP cross conveyor drive
 - ↳ (1) 10 HP screen feed conveyor drive
 - ↳ (1) 25 HP feed conveyor drive
 - ↳ (1) 15 HP crusher discharge conveyor drive
 - ↳ (1) 10 HP crusher lube pump motor
 - ↳ (1) 10 HP crusher hydraulic pump motor

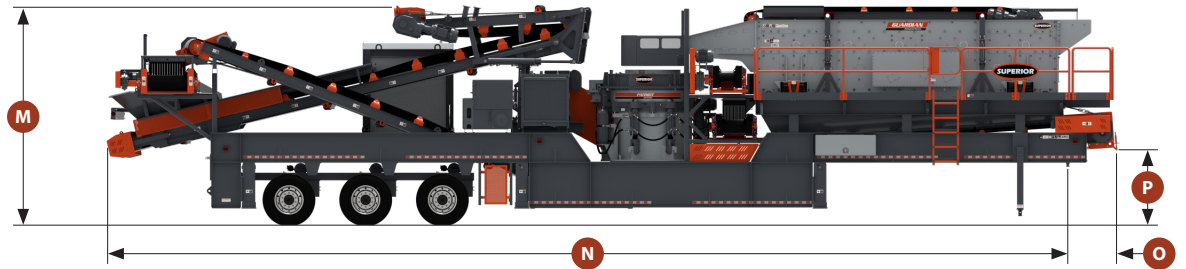
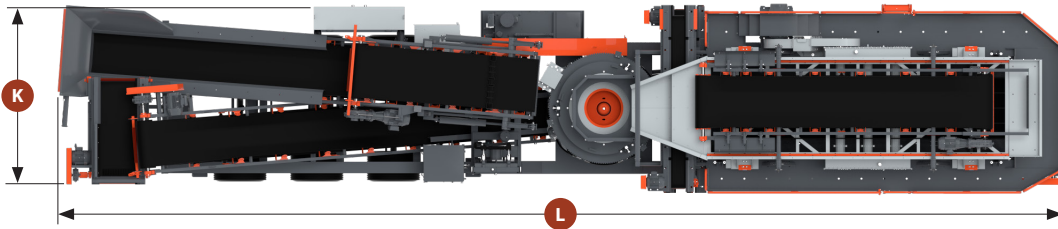
OPERATING DIMENSIONS



TRAVEL DIMENSIONS - INCHES (MM)

A	B	C	D	E	F	G	H	I	J
196 (4,965)	820 (20,820)	204 (5,180)	100 (2,545)	97 (2,465)	62 (1,565)	61 (1,550)	500 (12,700)	39 (990)	60 (1,525)

TRANSPORT DIMENSIONS



OPERATION DIMENSIONS - INCHES (MM)

K	L	M	N	O	P
150 (3,810)	806 (20,470)	174 (4,420)	765 (19,430)	39 (990)	60 (1,525)