



# PATRIOT® CONE PLANT

## REAR DISCHARGE



**5 YEAR**  
STRUCTURAL  
WARRANTY

**2 YEAR**  
EQUIPMENT  
WARRANTY

**2 YEAR**  
COMPONENTS  
WARRANTY

**1 YEAR**  
OEM PARTS  
WARRANTY

## STANDARD FEATURES

### PATRIOT CONE CRUSHER

- » Crusher drive motor and base
- » Countershaft blower

### CARRIER CHASSIS

- » Superior paint scheme
- » Tridem axle
- » Air brake system
- » Mud flaps
- » Travel lights w/ brake and directional signals
- » Fifth wheel hitch
- » Hydraulic leveling legs
- » Fixed structural cribbing legs
- » Tool box
- » King pin supports

- » Diamond plate walkway w/ drainage holes
- » Access ladders
- » Elevated observation platform
- » Safety guarding\*
- » Grease package

### HOPPERS AND CHUTES

- » Overflow chute
- » Under flow chute
- » Adjustable rubber flashing

### 42" REAR DISCHARGE CONVEYOR

- » Structural channel frame
- » Class II drive
- » Dodge bearings

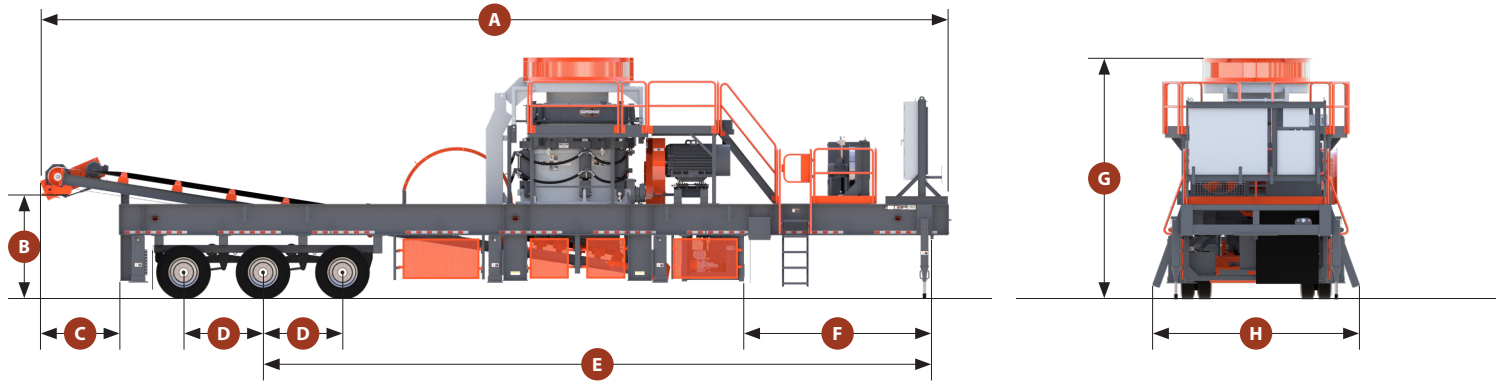
- » Chevron® Pulley
- » Sealing System
- » CEMA idlers with SpinGuard® Seals
- » Exterra™ Primary Belt Cleaner
- » Vulcanized belt

## OPTIONS

- » Level Assist (patent pending)
- » Feed conveyor cartridge
- » Vantage™ Automation System
  - » Run on jacks with counterbalance valves
  - » Run on jacks with mechanical pin locks
  - » Control panel
    - ↳ System start/stop sequencing
    - ↳ Interlocking controls
    - ↳ Lubrication system

Exclusive to Superior Industries

# OPERATING DIMENSIONS



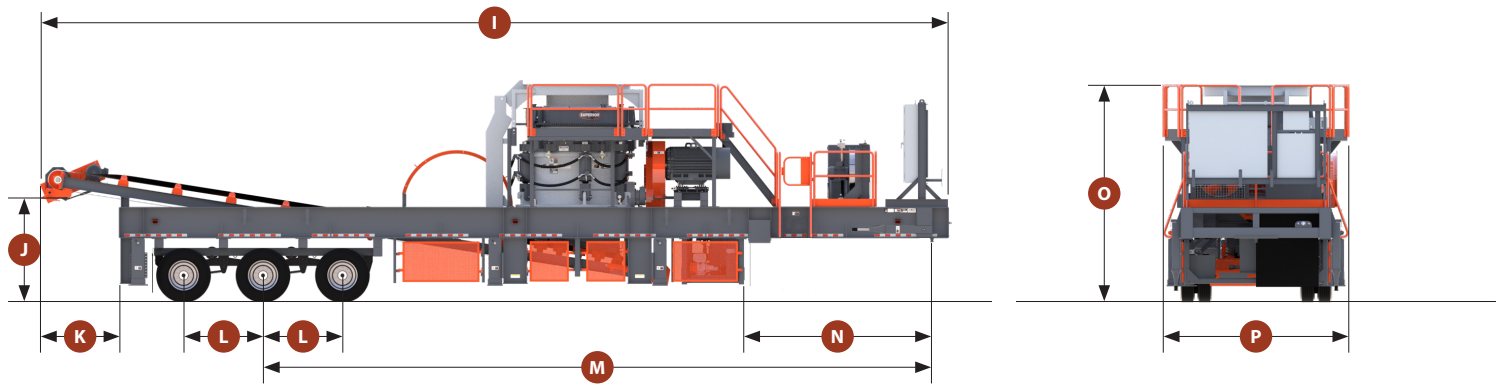
OPERATING DIMENSIONS - INCH (MM)

	A	B	C	D	E	F	G	H
<b>P400</b>	698 (17,730)	94 (2,390)	58 (1,475)	51 (1,295)	516 (13,110)	144 (3,655)	185 (4,700)	159 (4,040)

WEIGHTS - POUNDS (KG)

Axle Shipping Weight	Kingpin Shipping Weight
58,500 (26,535)	48,750 (22,1125)

# TRANSPORT DIMENSIONS



TRANSPORT DIMENSIONS - INCH (MM)

	I	J	K	L	M	N	O	P
<b>P400</b>	698 (17,730)	94 (2,390)	58 (1,475)	51 (1,295)	516 (13,110)	144 (3,655)	170 (4,320)	144 (3,655)