



3244 LIBERTY® JAW CRUSHER PLANT



STANDARD FEATURES

CARRIER CHASSIS

- » Superior paint scheme
- » Triple axle with a single axle booster
- » Air brake system
- » Mud flaps
- » Travel lights w/ brake and directional signals
- » Fifth wheel hitch
- » King pin supports
- » Lower maintenance walkways/ platforms
- » Operator's platform
- » Step assemblies and ladders
- » Main drive motor
- » Safety guarding*
- » 1-2 common grease points
- » Hydraulic leveling jacks

LIBERTY™ JAW CRUSHER

- » 32x44
- » Drive motor with sheave, v-belts and guards

INTREPID™ FEEDER

- » 42x20

HOPPERS AND CHUTES

- » Ledge lip rock box crusher hopper
- » Crusher discharge chute
- » Grizzly fines chute

48" DISCHARGE CONVEYOR

- » Patented Superior hydraulic powerfold
- » Impact bed
- » CEMA Idlers with SpinGuard® Seals

- » Chevron® Pulley
- » Exterra® Primary Belt Cleaner
- » Vulcanized belt

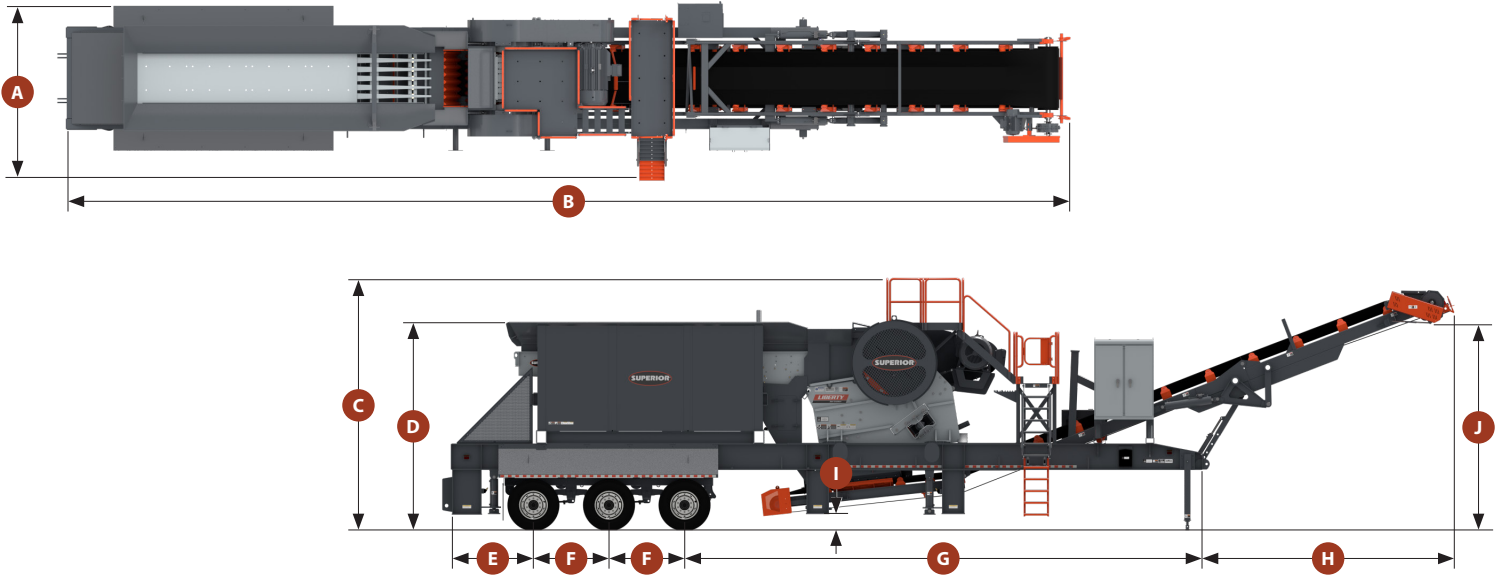
POWER SUPPLY

- » 480 v / 3 HP / 60 Hz
- » Control panel with starters (optional)
 - ↳ (1) 150 HP crusher drive motor
 - ↳ (1) 30 HP feeder drive motor with VFD
 - ↳ (1) 20 HP Front discharge conveyor drive motor**
 - ↳ (1) 15 HP motor for electric hydraulic system for tilt grizzly

* Guarding for all pulley and v-belt drives. Guards may not meet all local codes; customer is responsible to have guarding inspected.

** 20 HP starter for hydraulic tilting grizzly, would only be in the panel if the hydraulic tilting grizzly option was chosen.

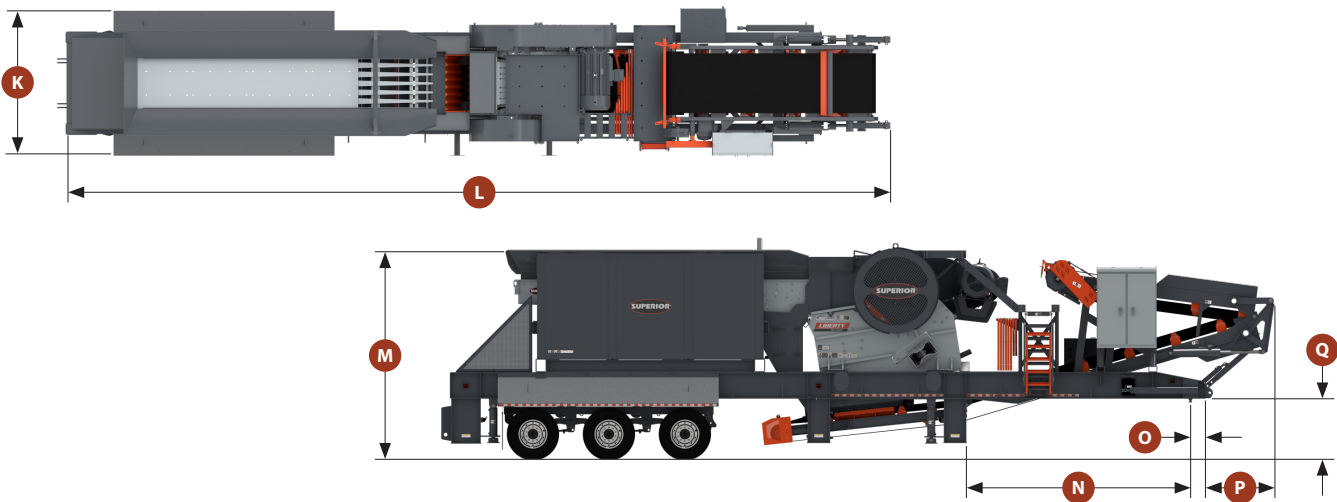
OPERATING DIMENSIONS



OPERATING DIMENSIONS - INCHES (MM)

A	B	C	D	E	F	G	H	I	J
143 (3,630)	807 (20,495)	210 (5,335)	172.00 (4,370)	63 (1,600)	61 (1,550)	420 (10,670)	201 (5,105)	16 (405)	176 (4,470)

TRANSPORT DIMENSIONS



TRAVEL DIMENSIONS - INCHES (MM)

K	L	M	N	O	P	Q
118 (2,945)	649 (16,485)	168 (4,265)	180 (4,575)	12 (305)	55 (305)	48 (1,220)