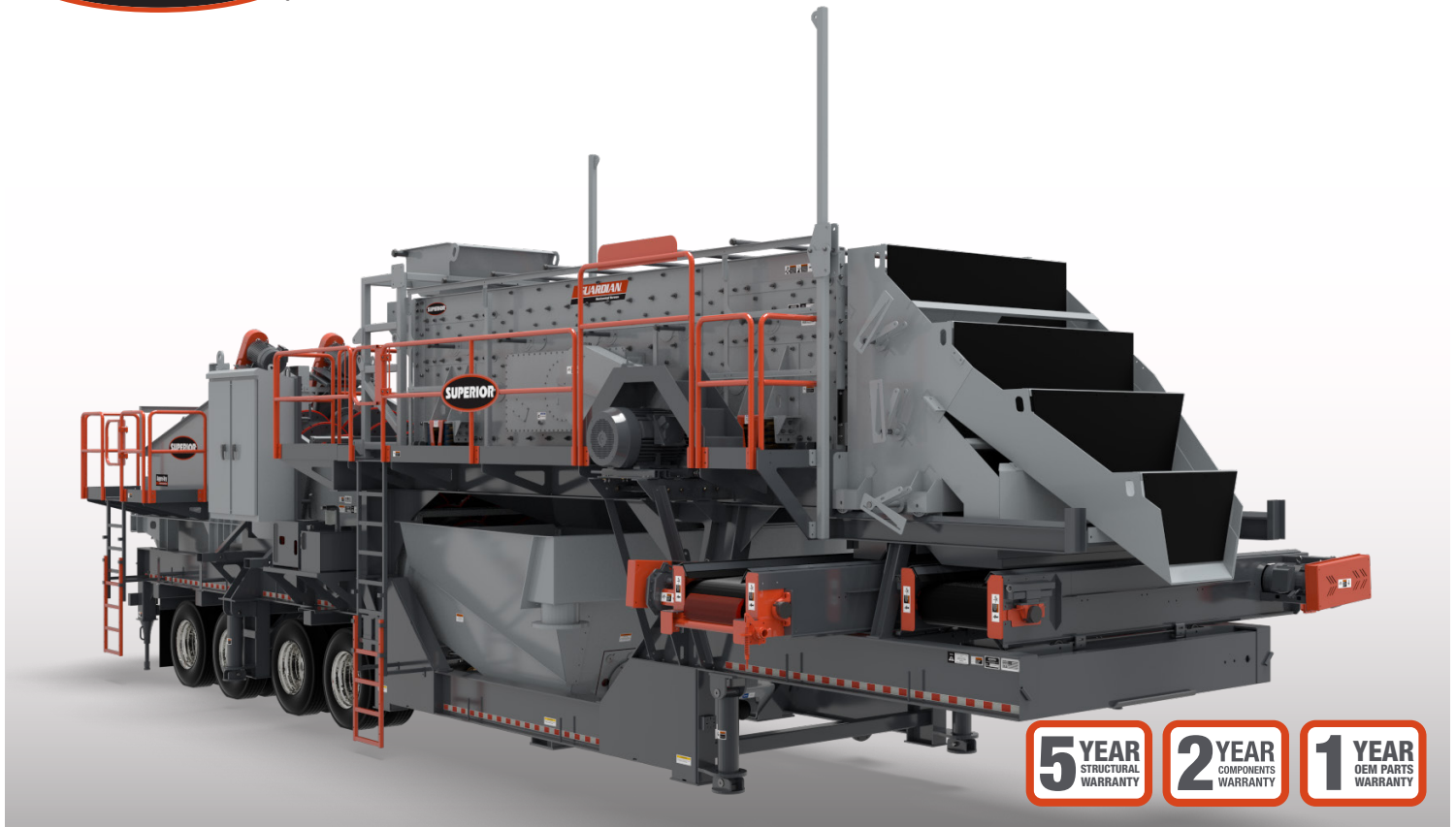




# AGGREDRY® WASH PLANT



## STANDARD FEATURES

### AGGREDRY WASHER

- » Superior Twin 36" Aggredry Dewatering Washer
- » Includes 5x10 Dewatering Screen

### SCREEN

- » Superior Guardian™ 6x20 Triple Shaft Horizontal Screen
- » Screen sub-frame
- » 40 HP 1800 RPM, TEFC screen drive motor

### CARRIER CHASSIS

- » Superior paint scheme
- » Tridem axle
- » Air brake system
- » Mud flaps

- » Travel lights w/ brake and directional signals
- » Fifth wheel hitch
- » Fixed structural cribbing legs
- » Tool box
- » King pin supports
- » Diamond plate walkway w/ drainage holes
- » Access ladders
- » Safety guarding\*

### HOPPERS AND CHUTES

- » Under screen gathering hopper to direct material into sand screw
- » 1/4" plate steel with 1/4" AR 400 weld-in liner in wear areas

- » Discharges chute at end of Fine Material Washer.
- » Discharges onto middle deck chute
- » Discharges onto bottom deck chute

### POWER SUPPLY

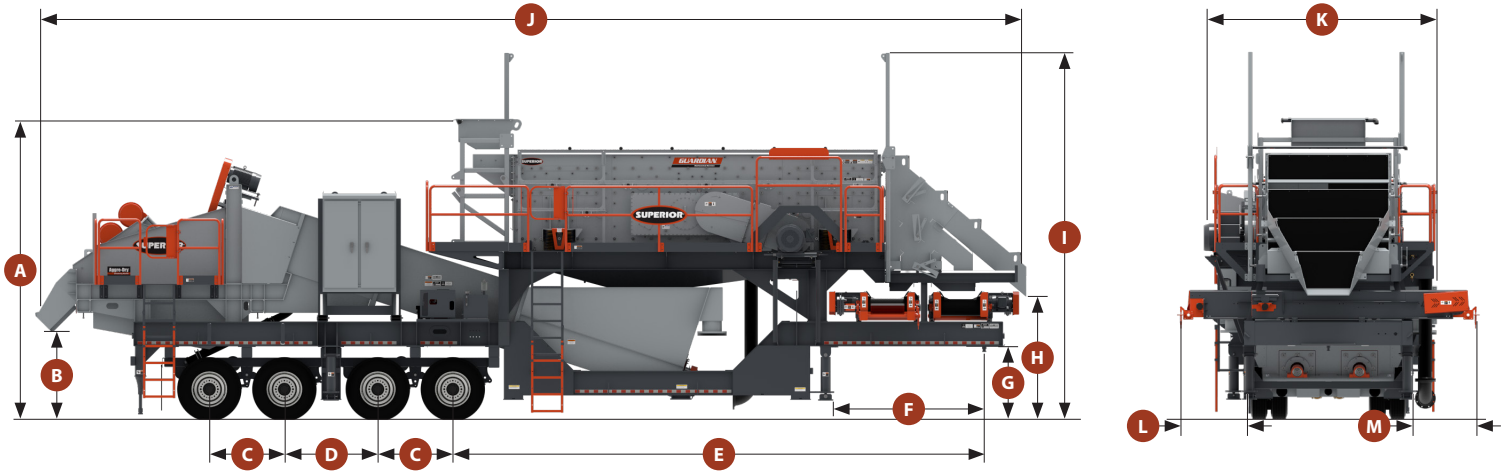
- » 480 v / 3 HP / 60 Hz
- » Control panel with starters for screens and screws

## OPTIONS

- » Level Assist (patent pending)
- » Bi-directional cross-conveyors
- » Hydraulic leveling legs
- » Blending gates
- » Spray bars
- » Rollaway chutes
- » Over head safety tie off
- » Slurry hopper
- » Tilting motor mount

 Exclusive to Superior Industries

# OPERATING DIMENSIONS



**OPERATION MODE DIMENSIONS - INCHES (MM)**

| A           | B          | C          | D          | E           | F          | G          | H          | I           | J            | K           | L        | M          |
|-------------|------------|------------|------------|-------------|------------|------------|------------|-------------|--------------|-------------|----------|------------|
| 191 (4,850) | 58 (1,470) | 49 (1,240) | 61 (1,550) | 343 (8,710) | 99 (2,510) | 48 (1,220) | 81 (2,060) | 240 (6,090) | 648 (16,460) | 153 (3,890) | 27 (685) | 43 (1,090) |

**WEIGHTS - POUNDS (KG)**

| Axle Shipping Weight | Kingpin Shipping Weight |
|----------------------|-------------------------|
| 60,120 (27,270)      | 27,500 (12,475)         |

# TRANSPORT DIMENSIONS

